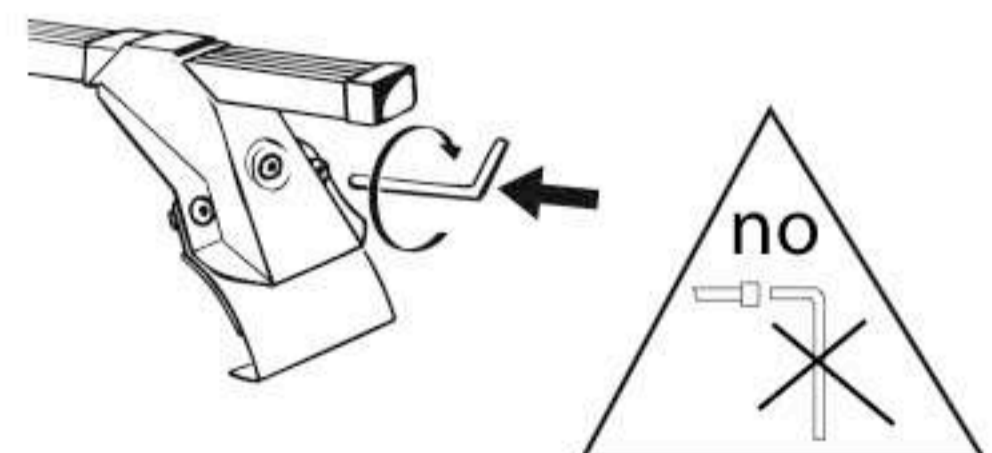
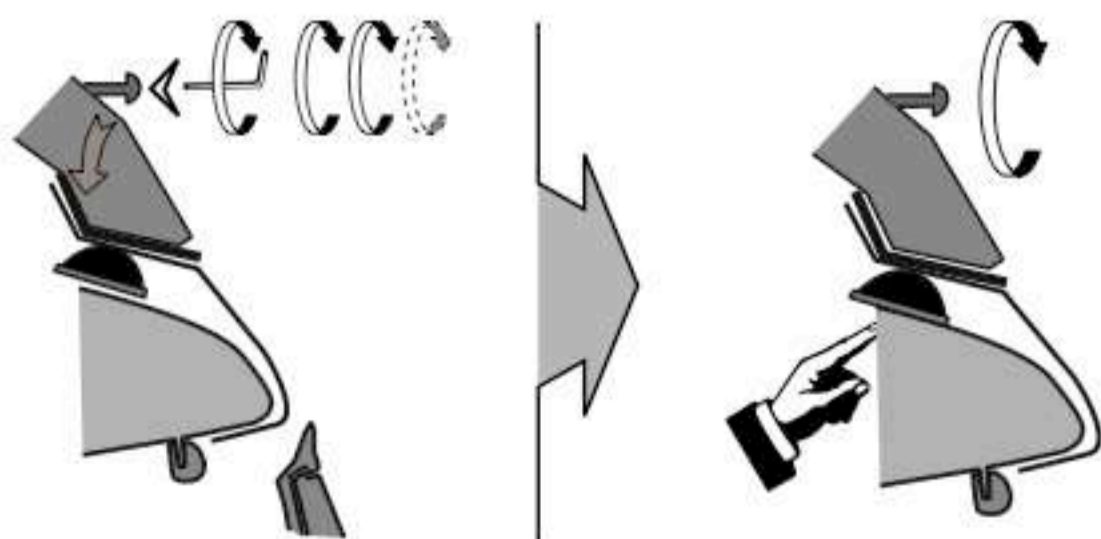
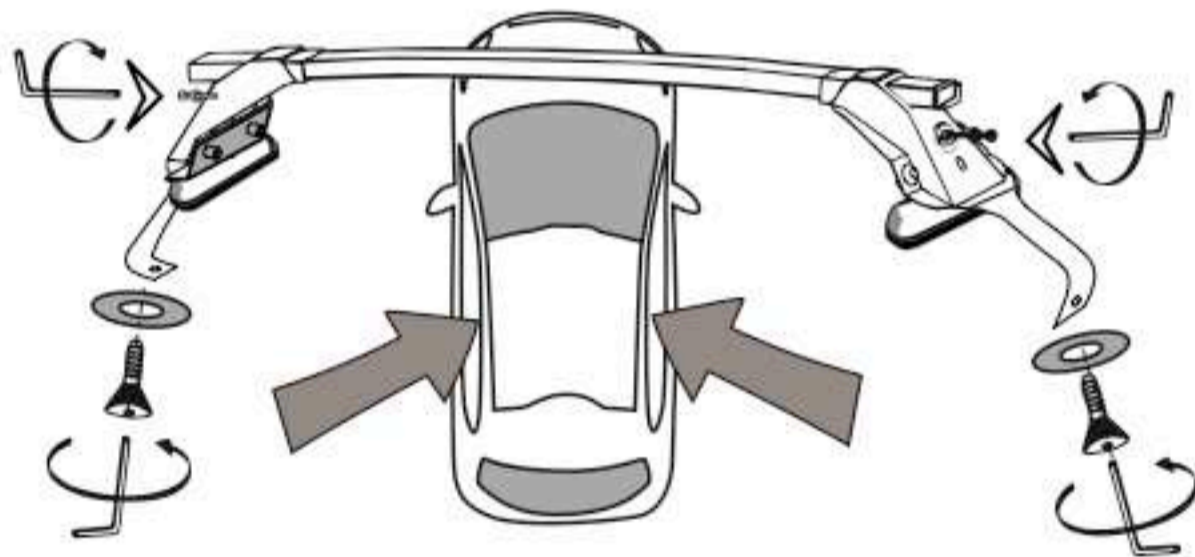
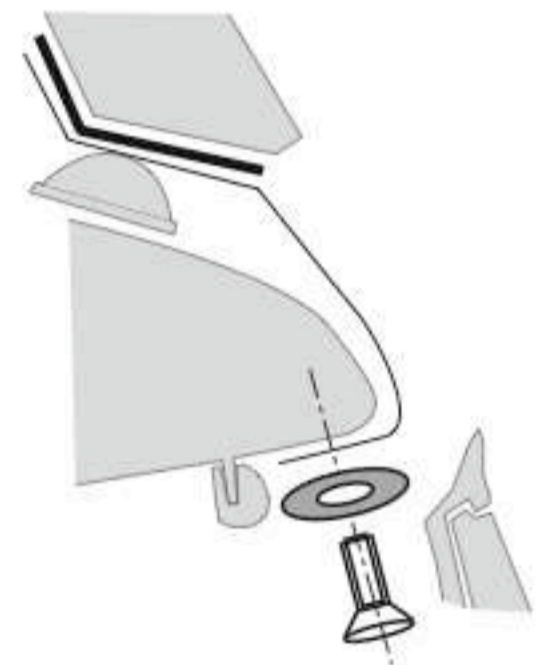
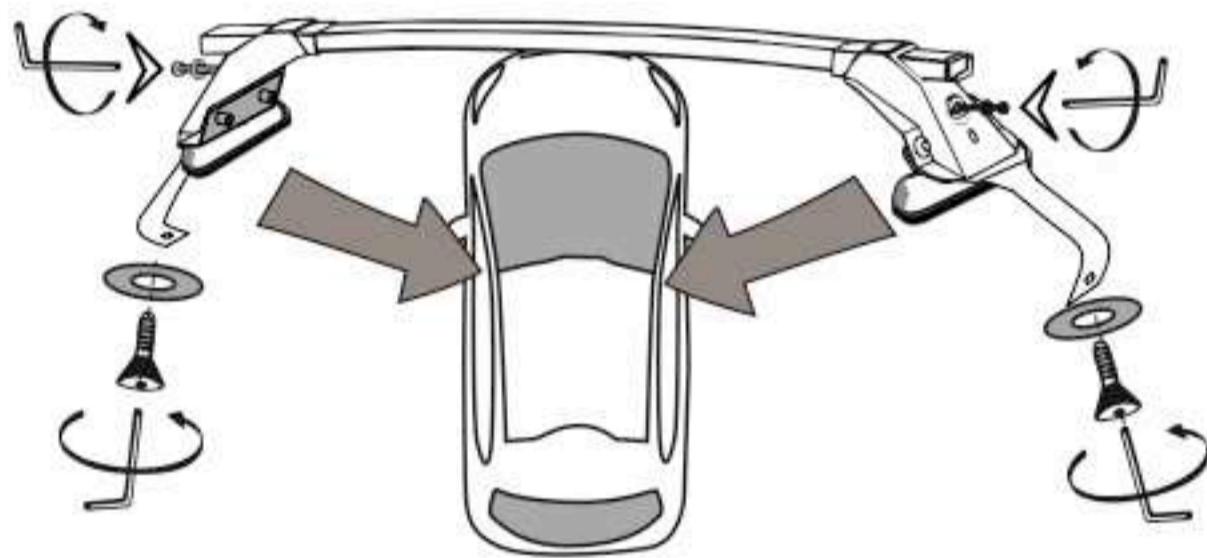
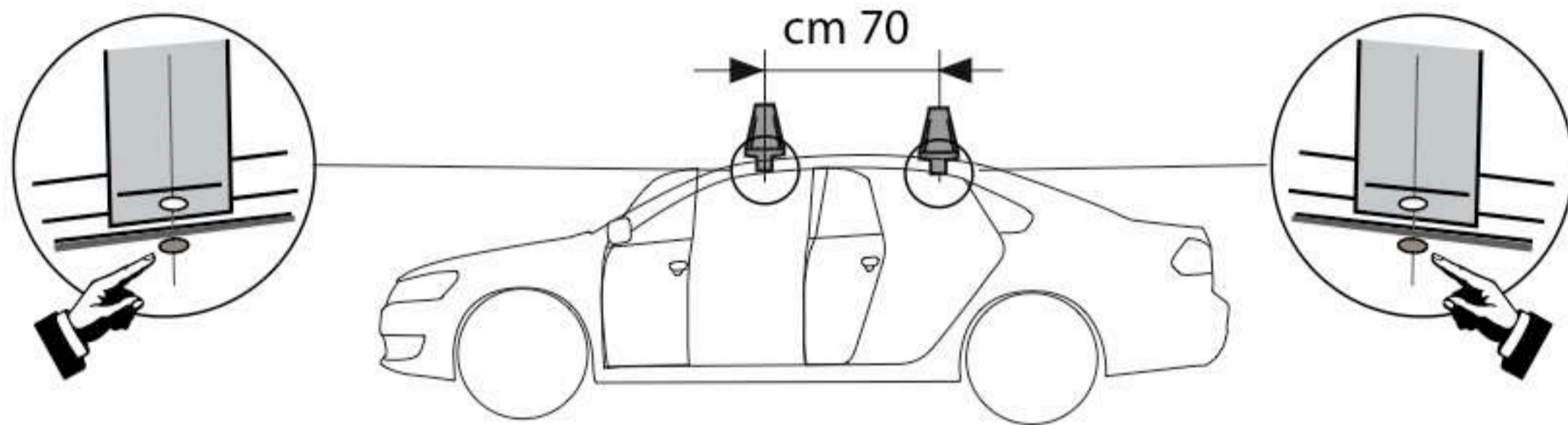


L1421 RENAULT Kadjar berlina 2015

Patent pending
kit: L1421



LA PREALPINA srl

INDUSTRIA ACCESSORI AUTO
10040 VOLVERA (Torino) ITALY
Strada Orbassano, 47
tel. 011 985 06 83, Fax 011 985 72 76
<http://www.laprealpina.net>; e-mail: lp@laprealpina.it

04/11/2015
Rev. 0