

L1437 RENAULT Mégane berlina 2015

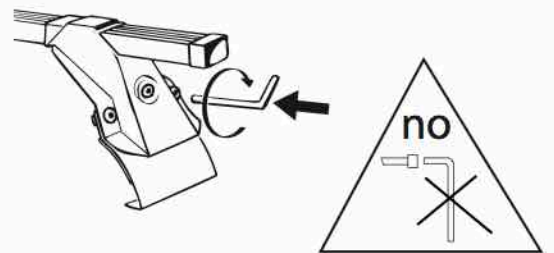
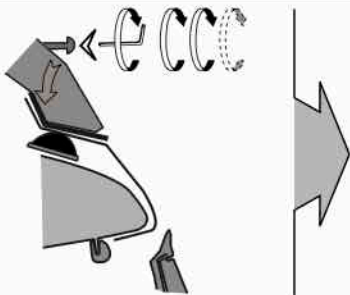
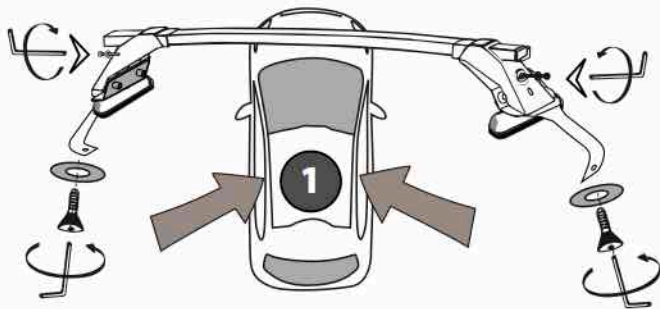
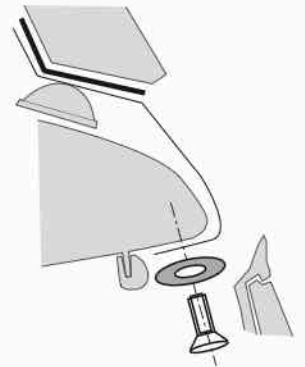
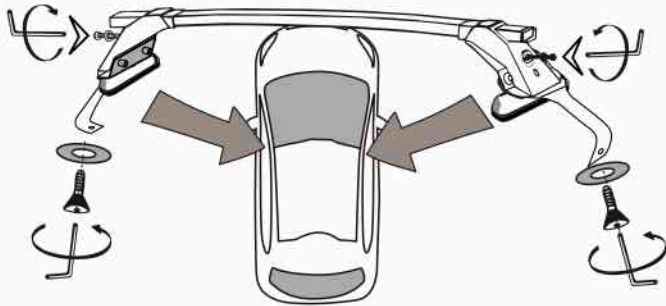
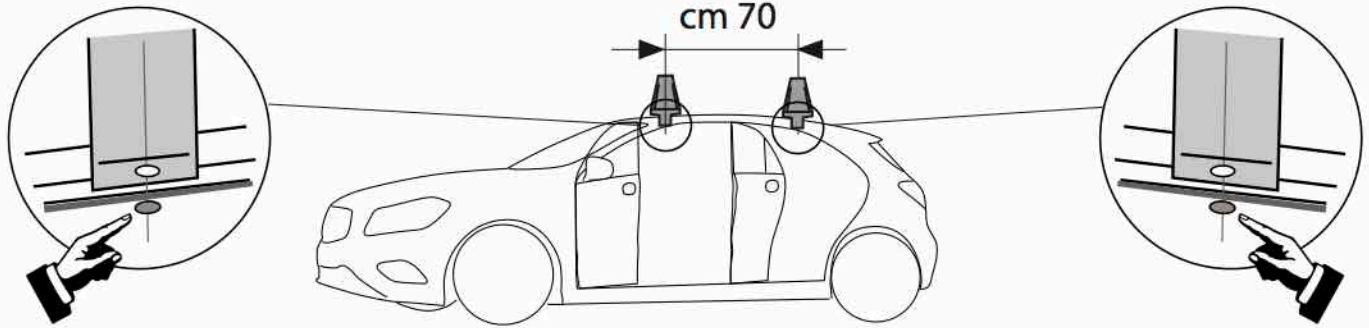
Patent pending

max
Kg. 75

L3

TUV
SÜD

GS



LA PREALPINA srl

INDUSTRIA ACCESSORI AUTO
10040 VOLVERA (Torino) ITALY
Strada Orbassano, 47
tel. 011 985 06 83, Fax 011 985 72 76
<http://www.laprealpina.net>; e-mail: lp@laprealpina.it

16/02/2016
Rev. 0