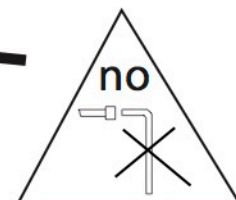
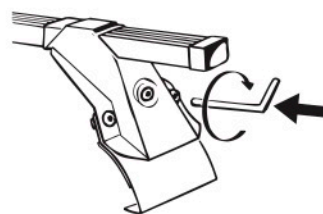
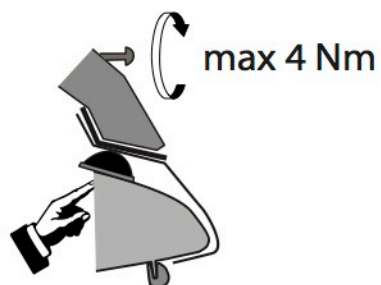
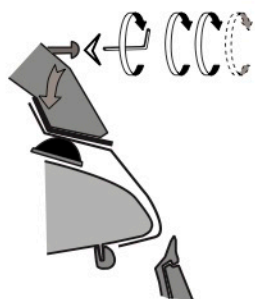
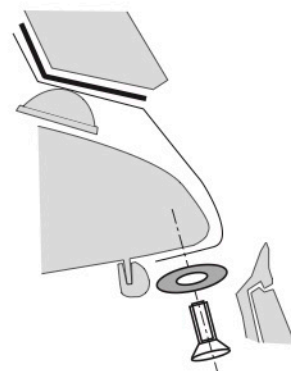
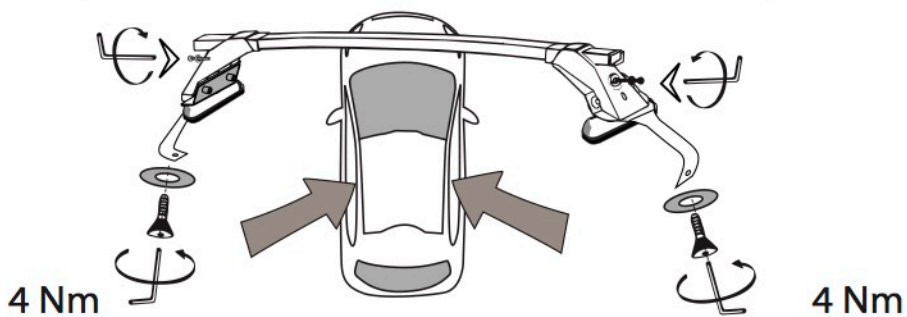
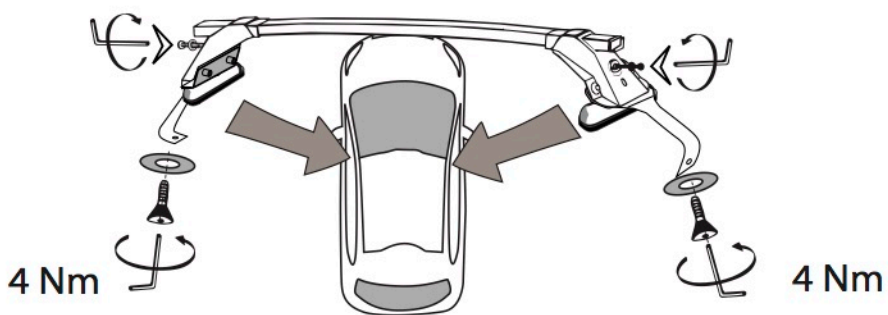
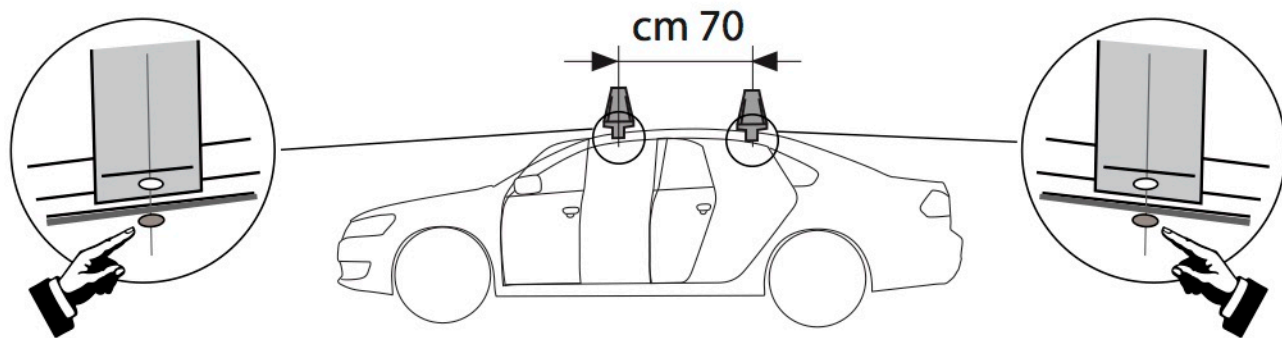


L1485 RENAULT Mégane Grand Coupé 2017

Patent pending

max
Kg. 75

L3



LA PREALPINA srl

INDUSTRIA ACCESSORI AUTO
10040 VOLVERA (Torino) ITALY
Strada Orbassano, 47
tel. 011 985 06 83, Fax 011 985 72 76
<http://www.laprealpina.net>; e-mail: lp@laprealpina.it

21/07/2017
Rev. 0