

L1611 RENAULT Austral 2022

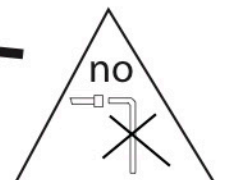
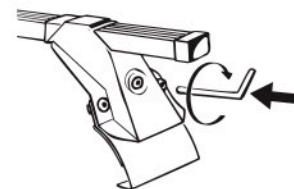
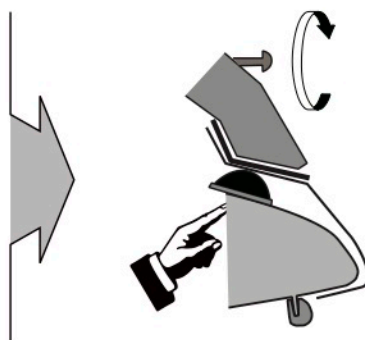
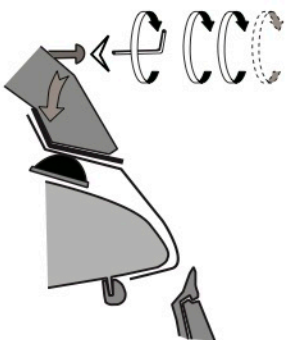
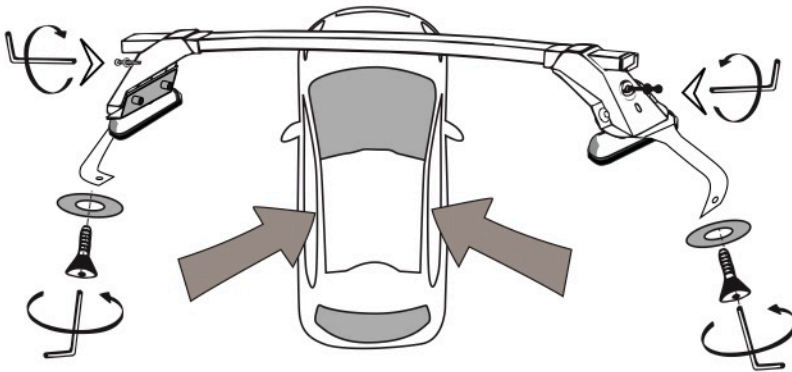
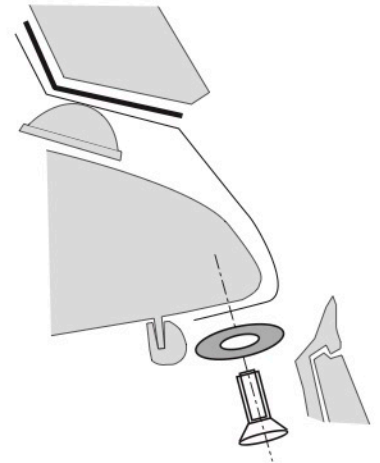
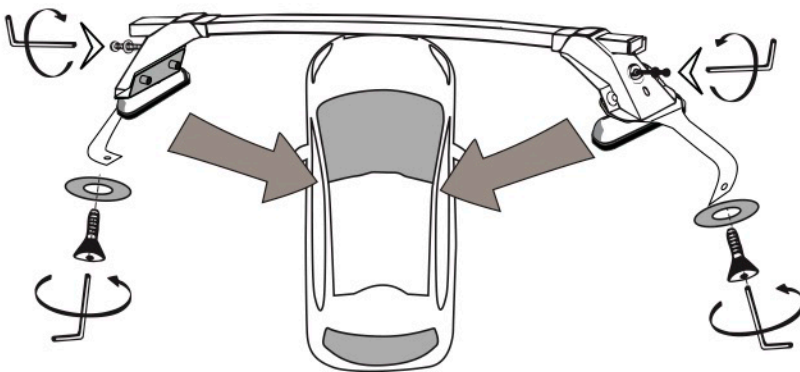
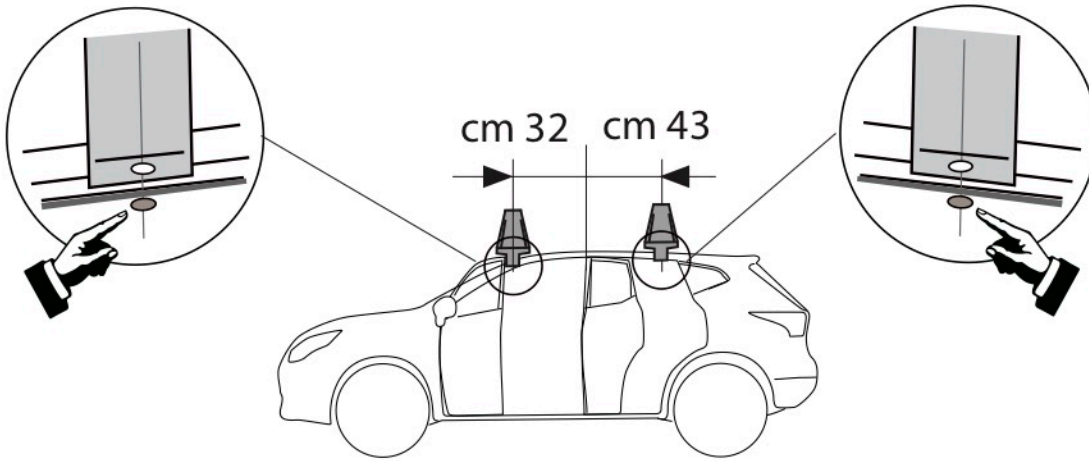


Patent pending

kit: L1611

max
Kg. 75

L3



LA PREALPINA srl

INDUSTRIA ACCESSORI AUTO
10040 VOLVERA (Torino) ITALY
Strada Orbassano, 47

tel. 011 985 06 83, Fax 011 985 72 76

<http://www.laprealpina.net>; e-mail: lp@laprealpina.it

01/03/2023

Rev. 0